

# A Packet's Journey Through the OpenBSD Network Stack

# Agenda

Networking

Measurement

Packet Queues

IP Stack

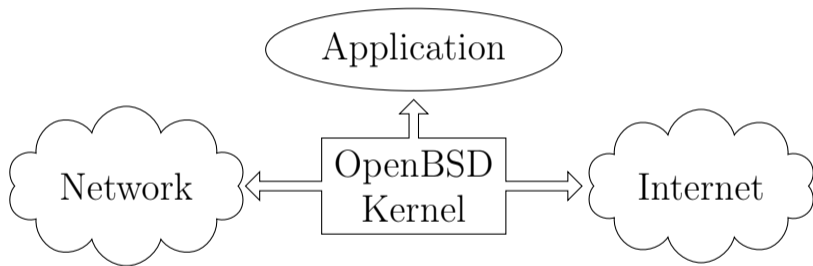
Pseudo Devices

IPsec

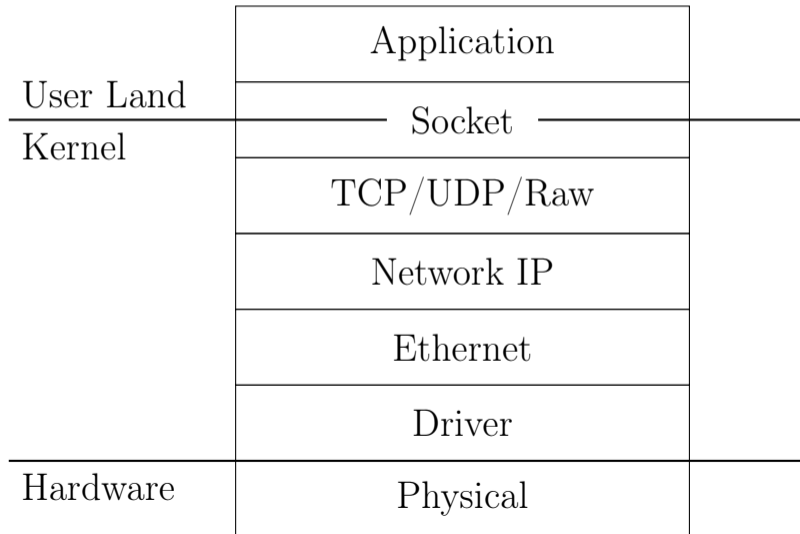
Tips & Tricks

Final Words

# Environment



## Layer



# Agenda

Networking

Measurement

Packet Queues

IP Stack

Pseudo Devices

IPsec

Tips & Tricks

Final Words

# Protocol Statistics Counter

```
netstat -ss
```

```
ip:
```

```
2208239 total packets received
2204405 packets for this host
3717 packets for unknown/unsupported protocol
101 packets not forwardable
```

```
tcp:
```

```
1542163 packets sent
 616615 data packets (165690394 bytes)
 333 data packets (296898 bytes) retransmitted
740242 ack-only packets (646590 delayed)
153288 window update packets
```

# pf State

## pfctl -s states

```
em0 tcp 80.154.94.48:22 <- 84.191.39.187:60436
    ESTABLISHED:ESTABLISHED
em0 tcp 192.168.0.31:22 (80.154.94.48:10031) <- 80.154.94.10:19890
    ESTABLISHED:ESTABLISHED
em1 tcp 80.154.94.10:19890 -> 192.168.0.31:22
    ESTABLISHED:ESTABLISHED
em0 tcp 192.168.0.31:443 (80.154.94.48:443) <- 193.30.66.53:51727
    CLOSING:ESTABLISHED
```

# Network Sockets

netstat -an

Active Internet connections (including servers)

| Proto | Recv-Q | Send-Q | Local Address | Foreign Address | TCP-State   |
|-------|--------|--------|---------------|-----------------|-------------|
| tcp   | 0      | 0      | 10.0.1.37.22  | 10.0.1.2.30176  | ESTABLISHED |
| tcp   | 0      | 1144   | 10.0.1.37.22  | 10.0.1.1.27069  | ESTABLISHED |
| tcp   | 0      | 44     | 10.0.1.37.22  | 10.0.1.2.49002  | ESTABLISHED |
| tcp   | 0      | 0      | *.22          | *.*             | LISTEN      |

Active Internet connections (including servers)

| Proto | Recv-Q | Send-Q | Local Address  | Foreign Address |
|-------|--------|--------|----------------|-----------------|
| udp   | 0      | 0      | 10.0.1.37.7040 | 10.0.1.1.123    |
| udp   | 0      | 0      | 10.0.1.37.161  | *.*             |
| udp   | 0      | 0      | *.*            | *.*             |



# Tcpdump Traffic

```
tcpdump -ni enc0 -v
```

```
18:45:13.665393 (unprotected): SPI 0x00006861:  
  fdd7:e83e:66bc:100::17 > fdd7:e83e:66bc:100::70:  
  10.188.168.17 > 10.188.175.72:  
  icmp: echo request  
  (id:c52b seq:0) (ttl 255, id 8945, len 1028) (len 1028, hlim 64)  
18:45:13.665849 (unprotected): SPI 0x00006862:  
  fdd7:e83e:66bc:100::70 > fdd7:e83e:66bc:100::17:  
  10.188.175.72 > 10.188.168.17:  
  icmp: echo reply  
  (id:c52b seq:0) (ttl 253, id 7503, len 1028) (len 1028, hlim 64)
```

# Agenda

Networking

Measurement

Packet Queues

IP Stack

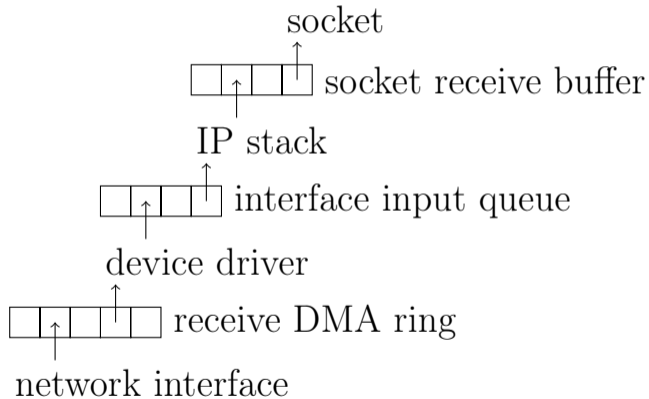
Pseudo Devices

IPsec

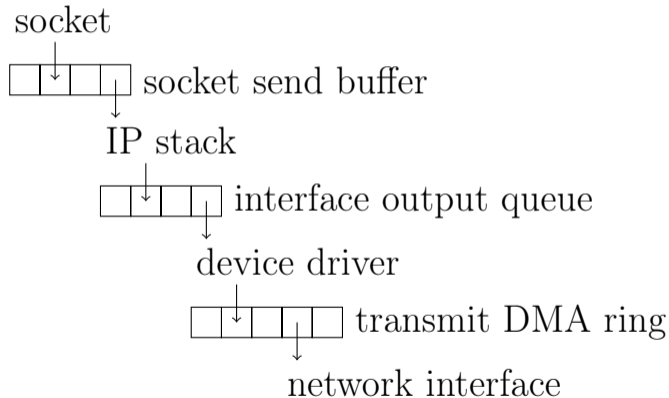
Tips & Tricks

Final Words

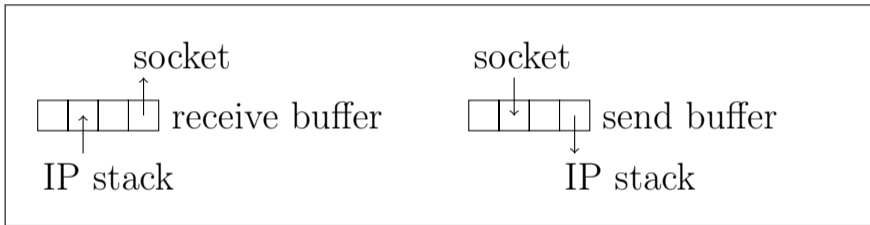
# Input Queues



# Output Queues



# Socket Buffer Recv-Q Send-Q

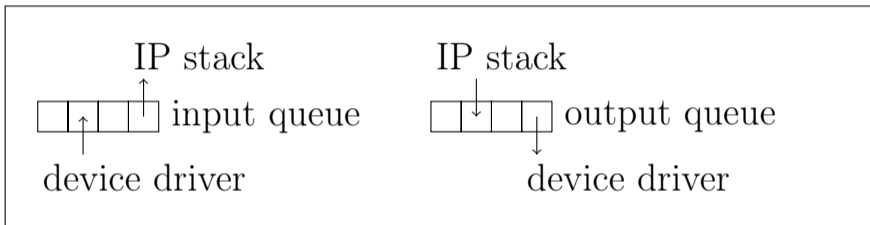


```
netstat -n -p tcp
```

Active Internet connections (including servers)

| Proto | Recv-Q | Send-Q | Local Address    | Foreign Address  | TCP-State   |
|-------|--------|--------|------------------|------------------|-------------|
| tcp   | 65160  | 0      | 10.10.11.2.35477 | 10.10.11.1.41996 | ESTABLISHED |
| tcp   | 0      | 131732 | 10.10.12.3.44648 | 10.10.12.4.12345 | ESTABLISHED |

# Interface Queue qdrops



## kstat

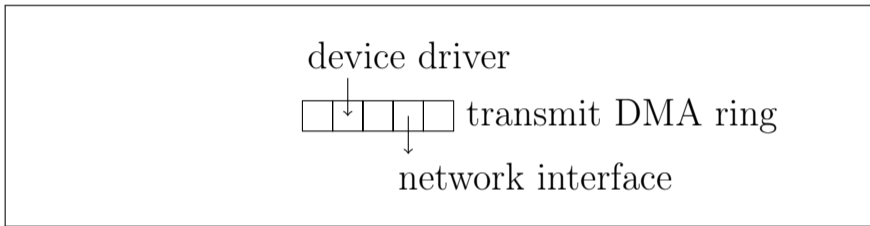
```
ix0:0:rxq:0
```

```
  packets: 158069114 packets  
  bytes: 300328302395 bytes  
  qdrops: 7902615 packets  
  qlen: 0 packets  
  enqueuees: 6947931  
  dequeuees: 5729695
```

```
ix0:0:txq:0
```

```
  packets: 11094621 packets  
  bytes: 894601044 bytes  
  qdrops: 0 packets  
  qlen: 0 packets  
  maxqlen: 255 packets
```

# Device Driver OACTIVE



## ifconfig em1

```
em1: flags=8c43<UP,BROADCAST,RUNNING,OACTIVE,SIMPLEX,MULTICAST> mtu 1500
    lladdr 0c:c4:7a:78:f3:55
    description: Intel I210
    index 6 priority 0 llprio 3
    media: Ethernet autoselect (1000baseT full-duplex)
    status: active
    inet 10.10.12.3 netmask 0xfffff00 broadcast 10.10.12.255
```

# Transmit Rings oactives

## dmesg

```
ix1 at pci1 dev 0 function 1 "Intel X550T" rev 0x01, msix,  
 4 queues, address a0:36:9f:e0:52:55
```

## kstat txq

```
ix1:0:txq:0
```

```
  qlen: 90 packets  
  maxqlen: 255 packets  
  oactive: true  
  oactives: 1919595
```

```
ix1:0:txq:1
```

```
  qlen: 141 packets  
  maxqlen: 255 packets  
  oactive: true  
  oactives: 2251633
```

```
ix1:0:txq:2
```

```
  qlen: 6 packets  
  maxqlen: 255 packets  
  oactive: true  
  oactives: 1788971
```

```
ix1:0:txq:3
```

```
  qlen: 55 packets  
  maxqlen: 255 packets  
  oactive: true  
  oactives: 1925063
```



# Agenda

Networking

Measurement

Packet Queues

IP Stack

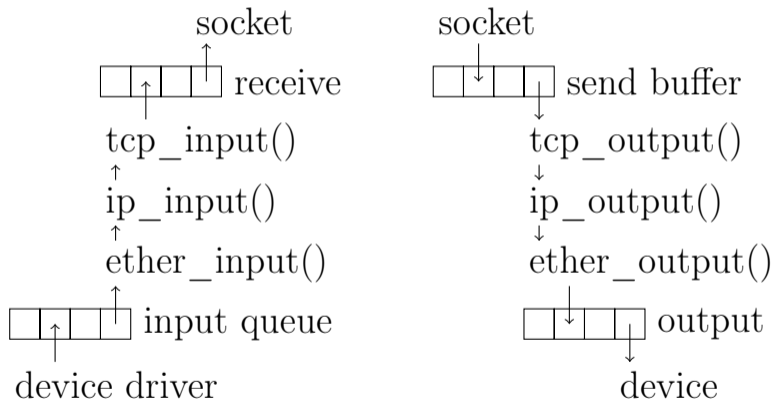
Pseudo Devices

IPsec

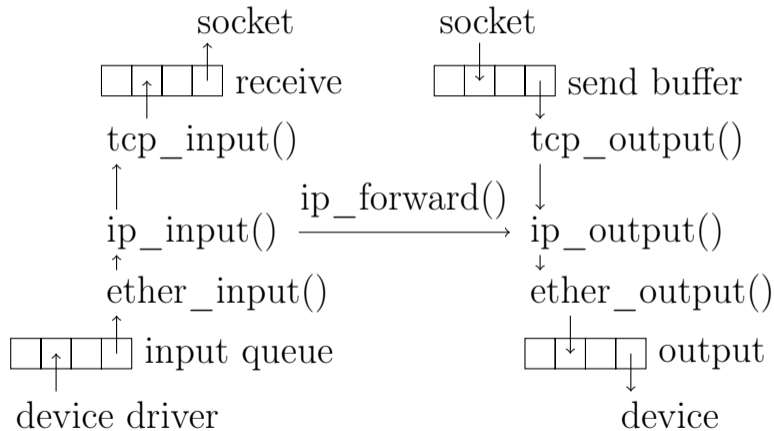
Tips & Tricks

Final Words

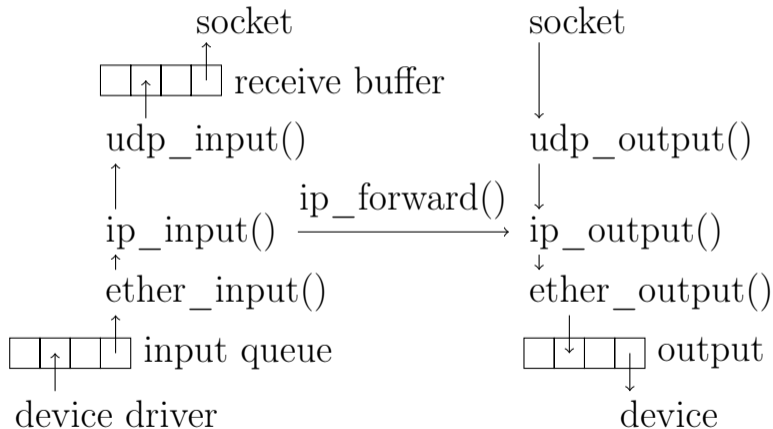
# Protocol Stack



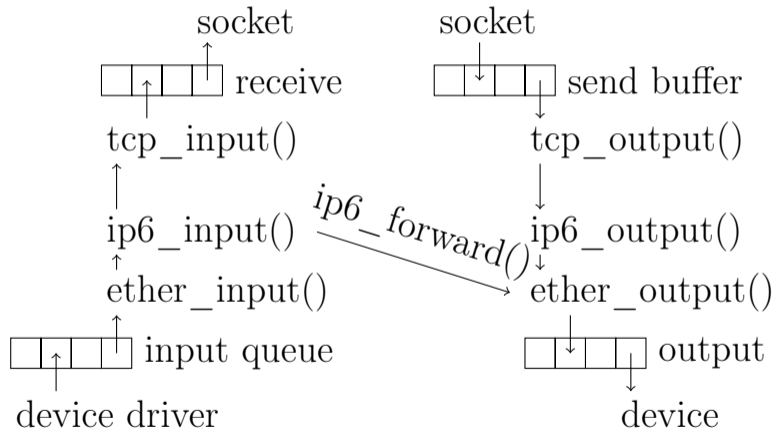
# IP Forwarding



## UDP



## IPv6



# Netstat Counter

netstat -ss

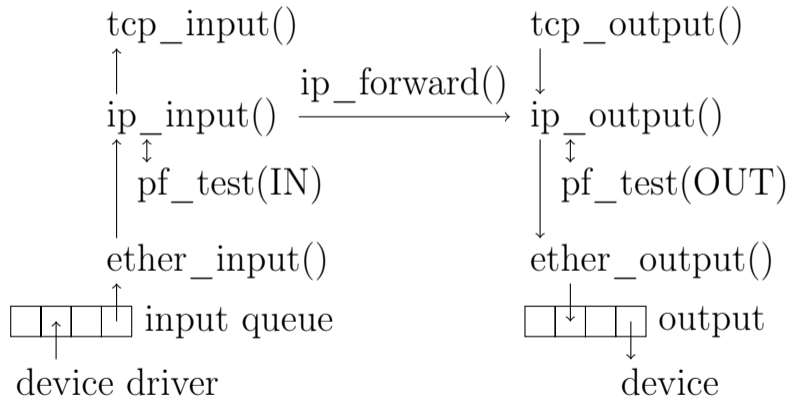
```
ip:
    393285673 total packets received
    246049103 packets for this host
    126364372 packets forwarded
    242653961 packets sent from this host

tcp:
    86520236 packets sent
    123883097 packets received

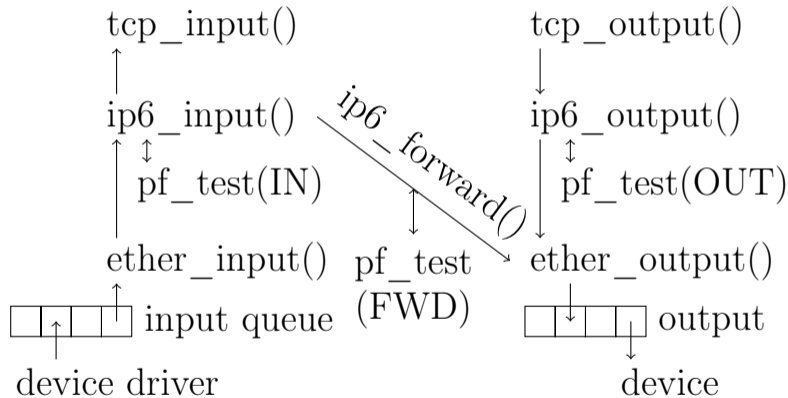
udp:
    400260722 datagrams received
    82147309 dropped due to full socket buffers
    318113273 delivered
    396391499 datagrams output

ip6:
    434697159 total packets received
    278214439 packets for this host
    146543897 packets forwarded
    240423068 packets sent from this host
```

## pf Test



# pf IPv6





# pf Rules

## pfctl -s rules

```
block return all
pass all flags S/SA
block return in on ! lo0 proto tcp from any to any port 6000:6010
block return out log proto tcp all user = 55
block return out log proto udp all user = 55
```

# Agenda

Networking

Measurement

Packet Queues

IP Stack

Pseudo Devices

IPsec

Tips & Tricks

Final Words

## Create Device

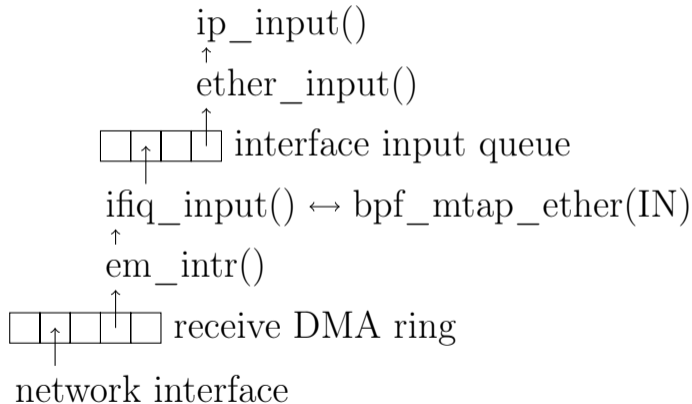
### ifconfig -C

```
aggr bpe bridge carp egre enc eoip etherip gif gre lo mgre mpe mpip  
mpw nvgre pair pflog pflow pfsync ppp pppoe rport sec svlan tap  
tprm trunk tun veb vether vlan vport vxlan wg
```

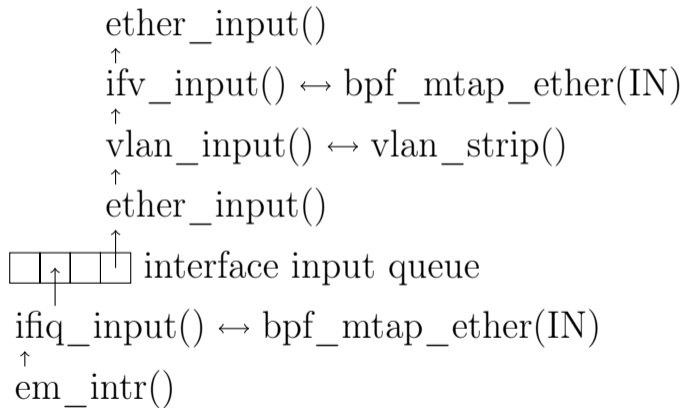
### ifconfig vlan0 create vnetid 42 parent em0 up

```
vlan0: flags=8843<UP,BROADCAST,RUNNING,SIMPLEX,MULTICAST> mtu 1500  
  lladdr 0c:c4:7a:78:f3:54  
  index 22 priority 0 llprio 3  
  encap: vnetid 42 parent em0 txprio packet rxprio outer  
  groups: vlan  
  media: Ethernet autoselect (1000baseT full-duplex)  
  status: active
```

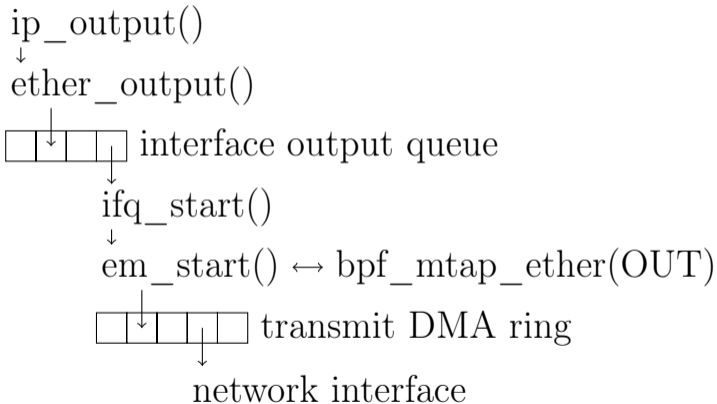
# Hardware Receive and Tcpdump



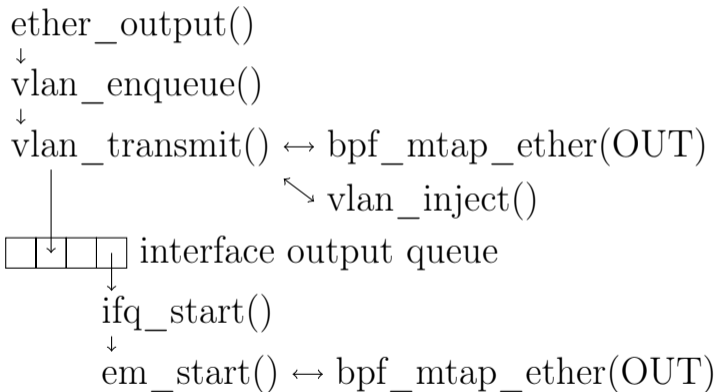
## VLAN Receive and Tcpdump



# Hardware Transmit and Tcpdump



## Vlan Transmit and Tcpdump



# Agenda

Networking

Measurement

Packet Queues

IP Stack

Pseudo Devices

IPsec

Tips & Tricks

Final Words



# IPsec Flow and SA

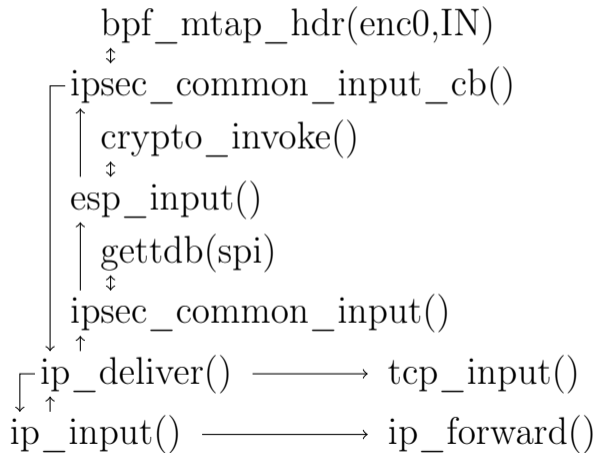
## ipsecctl -s flow

```
flow esp in
  from 10.188.108.0/24 to 10.188.115.0/24
  local fdd7:e83e:66bc:100::70 peer fdd7:e83e:66bc:100::17
flow esp out
  from 10.188.115.0/24 to 10.188.108.0/24
  local fdd7:e83e:66bc:100::70 peer fdd7:e83e:66bc:100::17
```

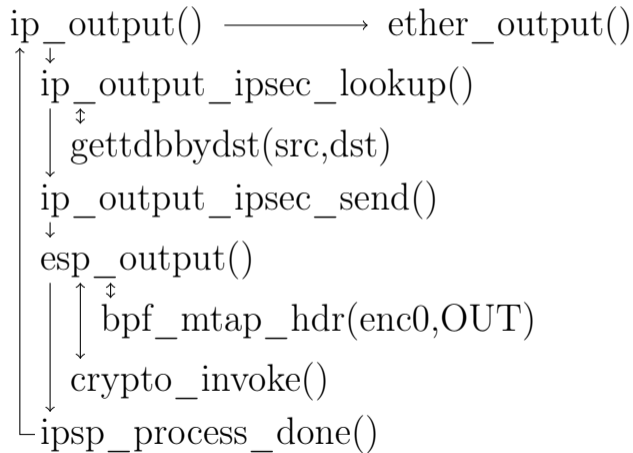
## ipsecctl -s sa

```
esp tunnel
  from fdd7:e83e:66bc:100::17 to fdd7:e83e:66bc:100::70
  spi 0x10000861
esp tunnel
  from fdd7:e83e:66bc:100::70 to fdd7:e83e:66bc:100::17
  spi 0x10000862
```

# IPsec Input



# IPsec Output



# Agenda

Networking

Measurement

Packet Queues

IP Stack

Pseudo Devices

IPsec

Tips & Tricks

Final Words

## Netstat Diff

- `netstat -ss >before`
- do some networking
- `netstat -ss >after`
- `diff -up before after`

tcp:

```
-      1024475 packets sent
-          829253 data packets (10075190801 bytes)
+      1024496 packets sent
+          829269 data packets (10075194870 bytes)
+          8767 data packets (35352640 bytes) retransmitted
-      162711 ack-only packets (163607 delayed)
+      162715 ack-only packets (163619 delayed)
+      21271 window update packets
```

# Grep Inet Counter

```
netstat -ss
```

```
ip:
    81 packets not forwardable
```

```
grep 'not forwardable' /usr/src/usr.bin/netstat/inet.c
```

```
    p(ips\_cantforward, "\t%lu packet%s not forwardable\n");
```

```
grep -l 'ips\_cantforward' /usr/src/sys/**
```

```
    /usr/src/sys/net/pf.c
    /usr/src/sys/netinet/ip_input.c
    /usr/src/sys/netinet/ip_var.h
```

```
view /usr/src/sys/netinet/ip_input.c
```

```
    if (!ISSET(flags, IP_FORWARDING)) {
        ipstat_inc(ips_cantforward);
        goto bad;
    }
```

# Counters

Developers should

- check for error
- count errors
- use unique counter

# Agenda

Networking

Measurement

Packet Queues

IP Stack

Pseudo Devices

IPsec

Tips & Tricks

Final Words



# Open Topics

- routing
- arp, neighbor discovery
- bridge, veb
- hardware offloading

# Links

- these slides

<https://github.com/bluhm/talk-packetflow>

# Questions

?